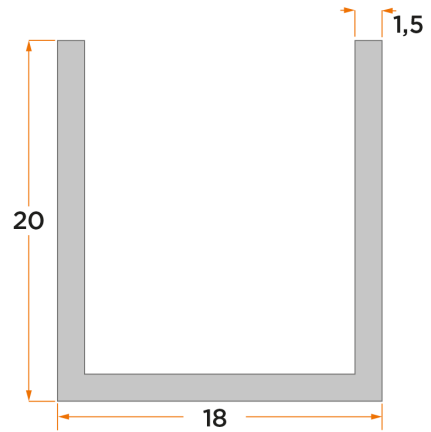


Product Data Sheet Type: PR18

Group: Standard Extrusions

For PGA, BGA, IC, DIL, and more

Width : 18 mm
Height : 20 mm
Base height : 1.5 mm
Weight : 22,3g/100mm
Surface : Blank Aluminium
Material : AlMgSi0,5



Extruded heat sink profile

Surface: AL= Untreated aluminium, SE= anodised black, NE= anodised colourless, CR Chromated- colourless (Chrom6-free, RoHS conform)

Alloy: AlMgSi 0,5 F22

Standard tolerances (if not otherwise required):

Extrusion tolerances for aluminium profiles: DIN 1748 - section 4 and DIN 17615 - section 3 respectively. DIN ISO 755 - 9 and DIN ISO 12020 - 2 respectively.

Machining tolerance: DIN 2768 m

Finishing to your specification

Length, milling, surface refinement, including mounting-, insulation-, thermal interface accessories