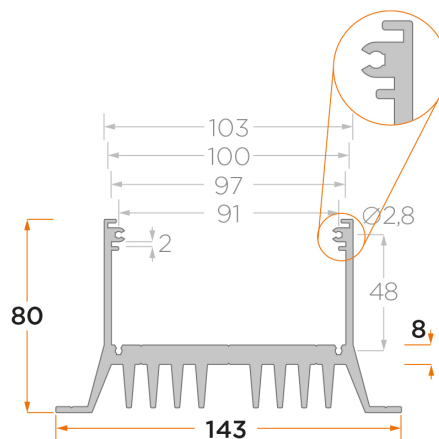


Product Data Sheet Type: PR250

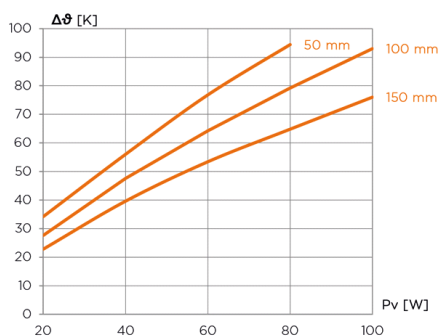
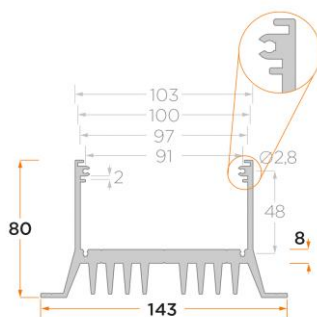
Group: ALUMINIUM Cases + Basic Elements

Heat sink casings

Width : 143 mm
 Height : 80 mm
 Base height : 8 mm



- Heatsink case with insertion slot for cover plate and / or circuit boards.
- Extruded heatsink, suitable as cooling case.
- With mounting legs at both sides.
- Insertion grooves e.g. for cover sheet and/or PCB.
- Also available in meter lengths.
- Other lengths and machining on request



Pv [W]	RthK [K/W]		
20	1,71	1,38	1,14
40	1,4	1,19	0,99
60	1,28	1,07	0,89
80	1,18	0,99	0,81
100		0,93	0,76
mm	50	100	150
g	390	530	790