

Product Data Sheet Type: PO18-18-12,5-AL

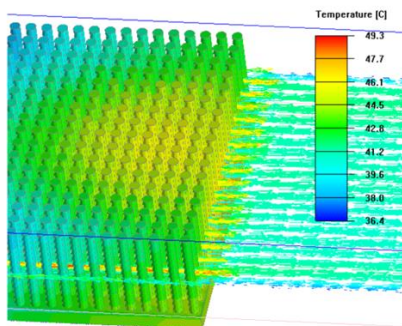
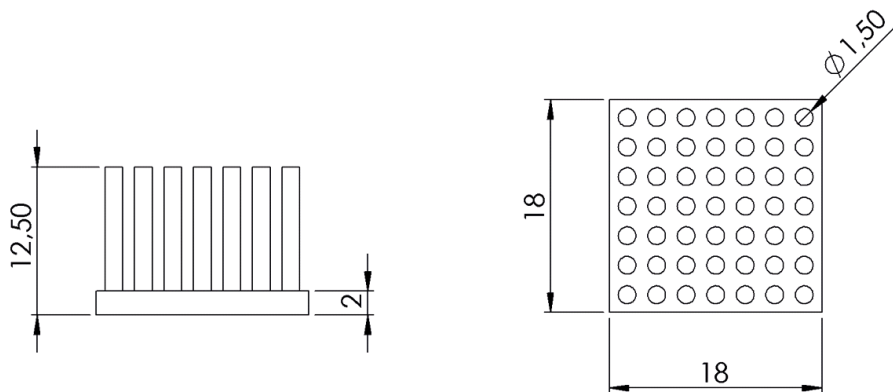
Group: POWERBLOCS Pin Heat Sink

Powerblocs square

Width :	18 mm
Height :	12.5 mm
Length :	18 mm
Base height :	2 mm
Capacity for power dissipation :	8 W
Minimum thermal resistance :	6,8 K/W
Weight :	3,0 g
Surface :	Blank Aluminium
Material :	Al99,5



- 49 Pins
- Rthk value: 35,9 k/W (for 1,2W passive); 13k/W (for 5W fan on side with 1m/s); 4,84k/W (for 8W fan on top with 2m/s)
- Detailed thermal report on request
- Design optimised for passive and active convection
- Mechanical processing upon request
- Fitting thermal interface material available (also preassembled)
- Fitting fans available (also preassembled)
- Surface refinement: anodising, chromating
- Optimal heatdissipation from baseplate to pins
- Customised modifications and/or design upon request; (<mailto:info@alutronic.com>)



Thermische Leistungswerte bitte anfragen:
For thermal parameters please contact us:
info@alutronic.de