

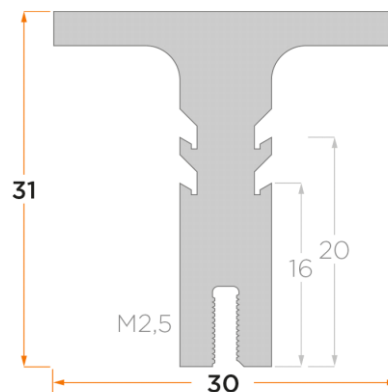
# Product Data Sheet Type: PR116

Group: HEATSINKS Extrusions

For Clip + screw-on

Width : 30 mm

Height : 31 mm



Extruded heat sink profile for clip mounting with clip types: MC725, MC 726, MC 773, MC 797

Surface: AL= Untreated aluminium, SE= anodised black, NE= anodised colourless, CR Chromated- colourless (Chrom6-free, RoHS conform)

Alloy: AlMgSi 0,5 F22

Standard tolerances (if not otherwise required):

Extrusion tolerances for aluminium profiles: DIN 1748 - section 4 and DIN 17615 - section 3 respectively. DIN ISO 755 - 9 and DIN ISO 12020 - 2 respectively.

Machining tolerance: DIN 2768 m

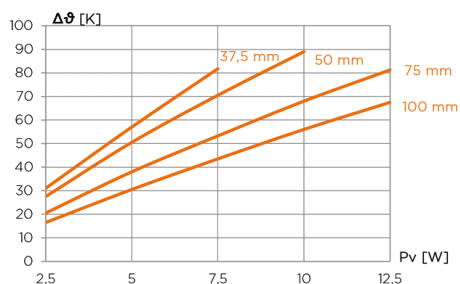
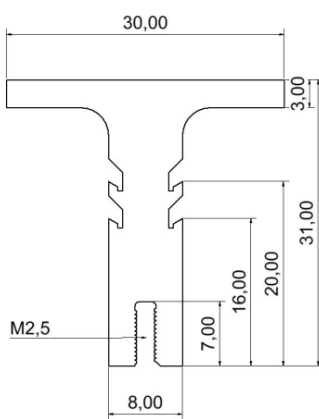
Finishing to your specification

Length, milling, surface refinement, including mounting-, insulation-, thermal interface accessories

Additional information:

Measurement conditions for the values in the thermal diagram are described at '[www.alutronic.com/service/thermal-measurments](http://www.alutronic.com/service/thermal-measurments)'

General information for designing your heat sink solution you will find at '[www.alutronic.com/service/technical-information](http://www.alutronic.com/service/technical-information)'



Pv [W]	RthK [K/W]			
2,5	12,4	11,0	8,2	6,6
5	11,4	10,1	7,6	6,1
7,5	10,9	9,4	7,1	5,8
10		8,9	6,8	5,6
12,5			6,5	5,4
mm	37,5	50	75	100
kg/m	0,79			