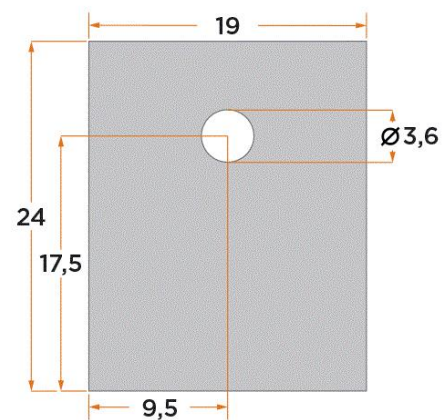


Product Data Sheet Type: SI491/N

Group: ACCESSORIES Thermal Interface Material

Silicone washers

Width :	19 mm
Length :	24 mm
Electrical insulating :	5 kV
Thickness :	0,23
Dielectriccoefficient :	2,29 at 1MHz
Minimum thermal resistance :	1,0 K/W
For device :	TO 218 TOP 3
Device mounted by :	Screw
Material :	Silicon w. Glasfibre



Glass fibre reinforced silicone foil in combination with insulating bushes facilitate insulated mounting of semiconductors e.g. on heatsinks. They are highly flexible and ensure optimal heat conductivity even without using thermal compounds.

- Colour: grey
- Hardness: (Test ASTM D 2240) 85 Shore A
- Elongation: (Test ASTM D 412) 2%
- Tolerance: +/- 0,02 mm
- Temperatur range: -60 / +200 °C
- Thermal Conductivity: 0,9 W / mK
- UL listed
- Thickness: 0,23 mm
- Rth: 1,0 K/W
- Dielectric strength: app. 5 KV
- Dielectric constant: 2,29 (at 10⁶ Hz)

