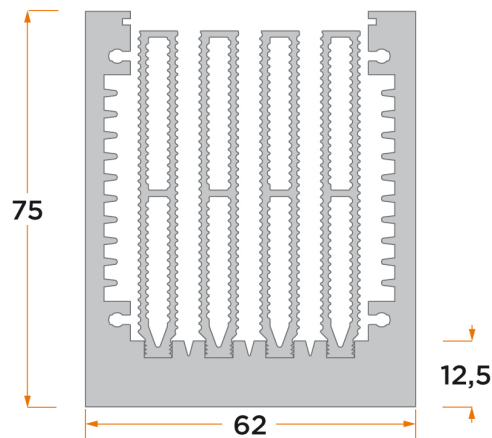


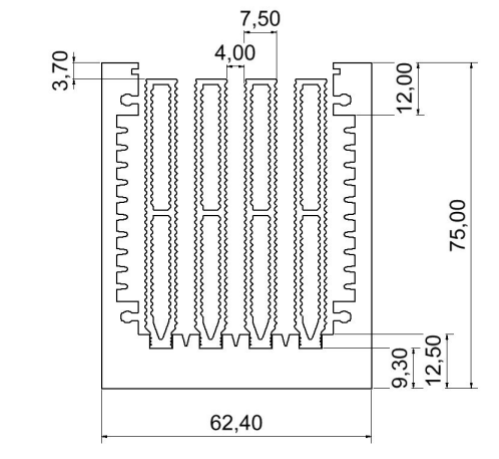
## Product features PR 715

Width [mm]:	62.0
Height [mm]:	75.0
Base height [mm]:	12.5
Alloy	AlMgSi 0,5 F22
Weight per meter [kg/m]:	5.66



## Further information

Extruded heat sink profile with inserted solid fins on one side (ridged profil) for forced-air cooling Surface: AL= Untreated aluminium, SE= anodised black, NE= anodised colourless, CR Chromated- colourless (Chrom6-free, RoHS conform) Alloy: AlMgSi 0,5 F22 Standard tolerances (if not otherwise required): Extrusion tolerances for aluminium profiles: DIN 1748 - section 4 and DIN 17615 - section 3 respectively. DIN ISO 755 - 9 and DIN ISO 12020 - 2 respectively. Machining tolerance: DIN 2768 m Finishing to your specification Length, milling, surface refinement, including mounting-, insulation-, thermal interface accessories



## Thermal performance

