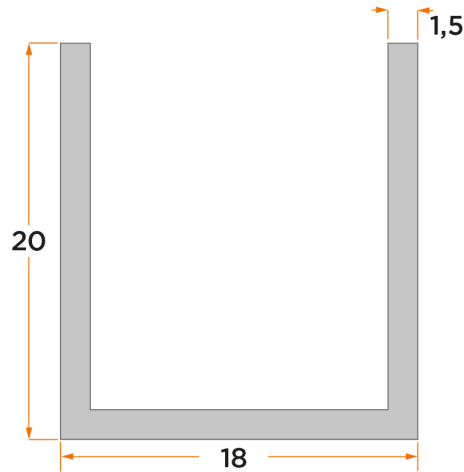


Product features PR 18

Finish	Blank Aluminium
Material	AlMgSi0,5
Width [mm]:	18.0
Height [mm]:	20.0
Base height [mm]:	1.5
Alloy	AlMgSi 0,5 F22
Weight per meter [kg/m]:	0.22



Further information

Extruded heat sink profile Surface: AL= Untreated aluminium, SE= anodised black, NE= anodised colourless, CR Chromated-colourless (Chrom6-free, RoHS conform) Alloy: AlMgSi 0,5 F22 Standard tolerances (if not otherwise required): Extrusion tolerances for aluminium profiles: DIN 1748 - section 4 and DIN 17615 - section 3 respectively. DIN ISO 755 - 9 and DIN ISO 12020 - 2 respectively. Machining tolerance: DIN 2768 m Finishing to your specification Length, milling, surface refinement, including mounting-, insulation-, thermal interface accessories

Thermal performance

PV [W]	RthK [K/W]		
1.0	19.9	12.5	9.3
2.0	18.2	11.9	8.2
3.0	16.7	10.4	6.9
4.0	15.4	9.6	5.8
5.0	14.2	8.7	4.9
Length in mm	25.0	50.0	75.0

