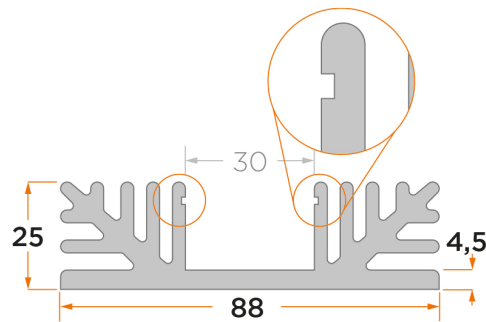


Product features PR 128

Width [mm]:	88.0
Height [mm]:	25.0
Base height [mm]:	4.5
Alloy	AlMgSi 0,5 F22
Weight per meter [kg/m]:	2.97



Further information

Extruded heat sink profile with counter-sunk mounting area
 Surface: AL= Untreated aluminium, SE= anodised black, NE= anodised colourless, CR Chromated- colourless (Chrom6-free, RoHS conform) Alloy: AlMgSi 0,5 F22 Standard tolerances (if not otherwise required): Extrusion tolerances for aluminium profiles: DIN 1748 – section 4 and DIN 17615 – section 3 respectively. DIN ISO 755 – 9 and DIN ISO 12020 – 2 respectively. Machining tolerance: DIN 2768 m Finishing to your specification Length, milling, surface refinement, including mounting-, insulation-, thermal interface accessories

Thermal performance

PV [W]	RthK [K/W]			
5.0	5.2	4.4	3.6	3.0
10.0	4.5	4.0	3.3	2.8
15.0	4.2	3.7	3.0	2.6
20.0	4	3.5	2.9	2.4
25.0	3.8	3.4	2.7	2.3
Length in mm	37.5	50.0	75.0	100.0

